



2009 *International Application Guide* • Volume 8 • Issue 2 • 2-10-09



VL996 VISTA SERIES™

VL996 Vista Series™ Models

VL996IB3042

Useable Platform:
30" x 42"
(76 cm x 107 cm)

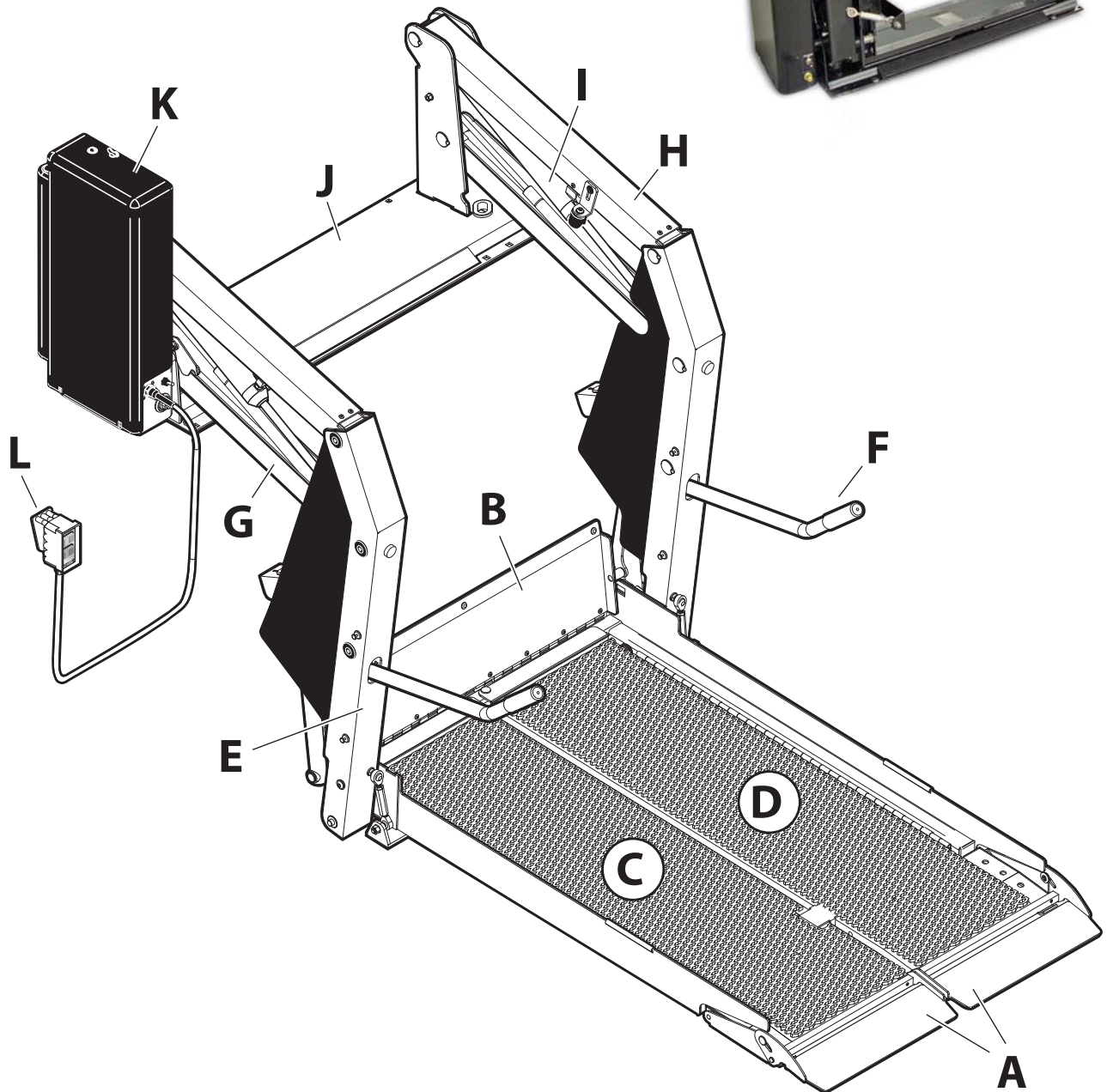
VL996IB3048

Useable Platform:
30" x 48"
(76 cm x 122 cm)

VL996IB3452

Useable Platform:
34" x 52"
(86 cm x 132 cm)

Unique split platform automatically opens during the fold cycle, dramatically increasing the visibility and allows interior access thru the lift opening.



| | |
|--|-------------------------------------|
| A - Automatic Outboard Barrier | G - Bottom Parallel Arms (2) |
| B - Inboard Barrier (IB) | H - Top Parallel Arms (2) |
| C - Platform - Pump Side | I - Cylinder (2) |
| D - Platform - Opposite Pump Side | J - Base Plate |
| E - Vertical Arms (2) | K - Pump Module |
| F - Handrails (2) | L - Hand-Held Control Box |

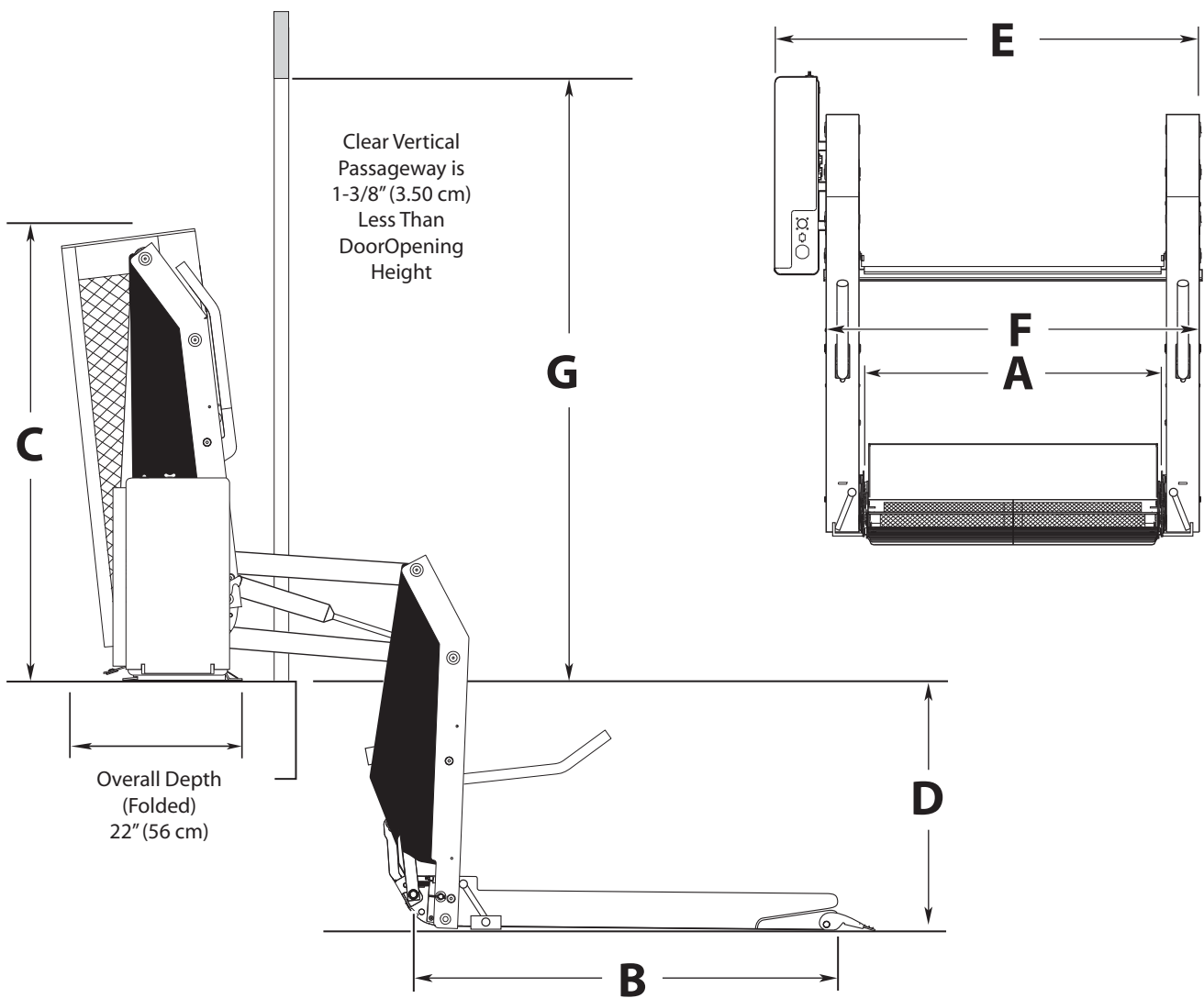
VL996 Vista Series™ Accessories

34908A Upper Tower Bracket Kit for all VL996 lifts

34909A Stowed Platform Anti-Rattle Kit for all VL996 lifts (will decrease clear entryway width)

996-0618KS Standee Handrail Kit for all VL996 lifts (front and rear yellow handrails for standee use).
 Adds 3" (8 cm) to Minimum Clear Door Opening Width on all models.
 Adds 1.5" (4 cm) to Overall Lift Width on all models.
 Adds 2" (5 cm) to Overall Lift and Minimum Clear Door Opening Heights on 48" long platform model.
 Adds 8" (20 cm) to Overall Lift and Minimum Clear Door Opening Heights on 42" long platform model.

VL996 Vista Series™ Dimensions



All dimensions are for reference only.

| VL996 Vista Series™ | | | A | B | C | D | E | F | G |
|---------------------|-----------|--------|----------------------|-----------------------|---------------------|----------------------|--------------------|-------------------------------|--------------------------------|
| Lift Model Number | Operation | | Clear Platform Width | Clear Platform Length | Overall Lift Height | Max. Floor to Ground | Overall Lift Width | Min. Clear Door Opening Width | Min. Clear Door Opening Height |
| | User | Attdt. | | | | | | | |
| VL996IB3042 | | X | 30" (76cm) | 42" (107cm) | 45.25" (115cm) | 31" (79cm) | 44" (112cm) | 39.38" (100cm) | 46" (117cm) |
| VL996IB3048 | | X | 30" (76cm) | 48" (122cm) | 51.25" (130cm) | 31" (79cm) | 44" (112cm) | 39.38" (100cm) | 52" (132cm) |
| VL996IB3452 | | X | 34" (86cm) | 52" (132cm) | 55.25" (140cm) | 31" (79cm) | 48" (122cm) | 43.38" (110cm) | 56" (142cm) |

VL996 Vista Series™ Specifications

General Function: Electrohydraulic, power up/gravity down operation

Operation: Hydraulic pump with two lifting cylinders

Control: hand-held control box

Hydraulic: Pressure Max. 2,495 psi (172 bar), Fluid is Unavis HVI 26, reservoir is .33 gal (1.25 L)

Construction: Steel structure with powder coat finish

Lift Weight: 295 lbs (134 kg)

Lifting Capacity: 660 lbs (300 kg)

Operating Temperature: 19°F to 149°F (-7°C to 65°C)

Power Supply: 12V DC

Current Consumption: Max. 70A (12V)



VL996 Vista Series™ Features



- fully automatic lift, operated by an attendant
- unique split platform automatically opens during the fold cycle, dramatically increasing the visibility and allows interior access through the lift opening
- parallel arm lift with hydraulic cylinders
- hand-held control box for easy operation of the lift
- side or rear door application
- dual handrails for security and convenience
- mechanically operated outboard barrier that will be in the fully up position as the platform leaves the ground
- automatic mechanical inboard barrier (IB)
- integrated back-up pump
- equipped with an adjustable anti-rattle feature to avoid unpleasant noise in the vehicle during transit
- durable high-gloss powder coated finish
- Lift-Tite system stows the lift platform securely while the vehicle is in transit
- pump module with removable cover offers easy access to all components
- lift power on/off switch



www.braunability.com/international

ISO 9001:2000

631 West 11th Street, Winamac, IN 46996, USA Phone: +1 574 946 6153 Fax: +1 574 946 4670