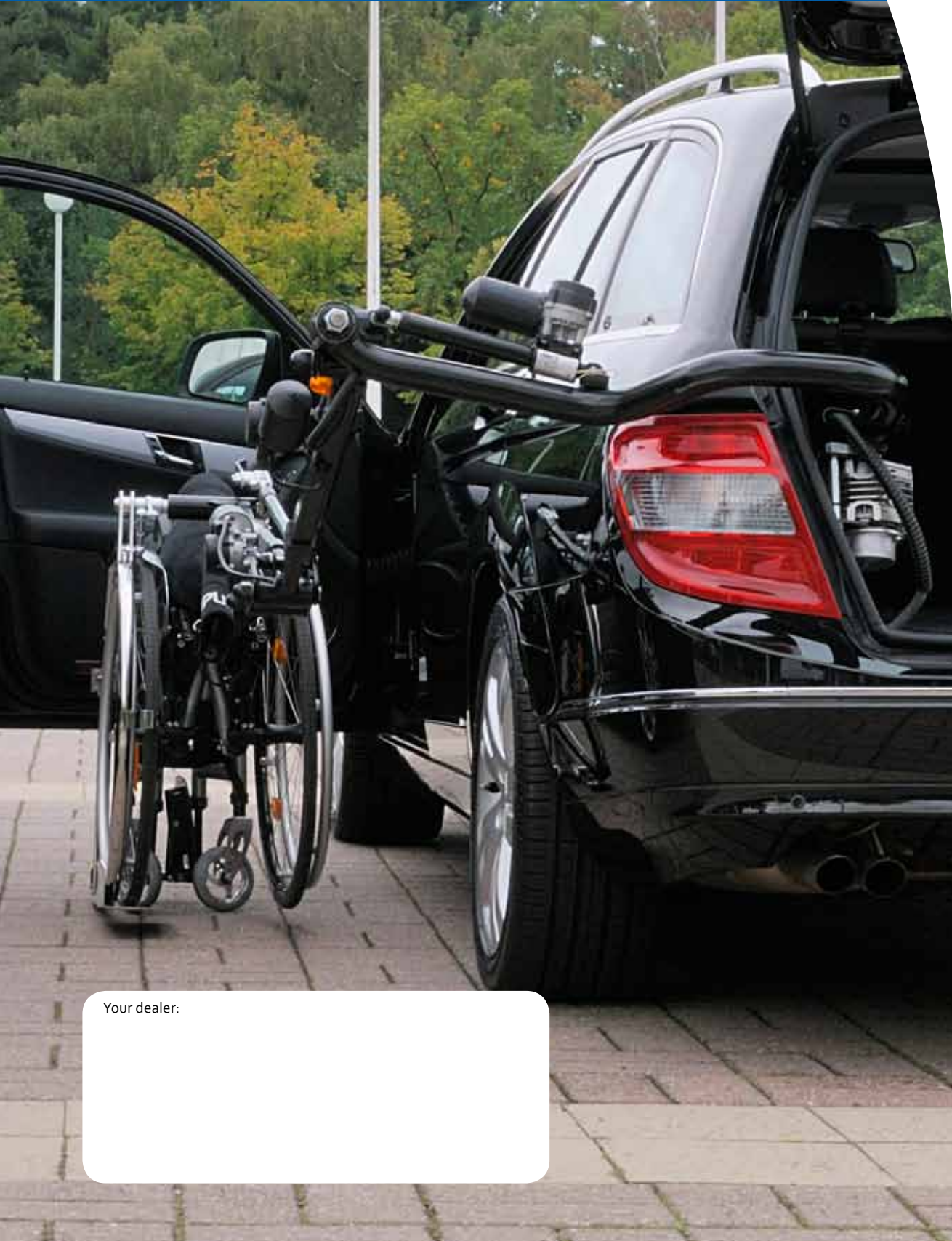


NEW GENERATION ROBOT R11.



Wheelchair load system ROBOT R11

Your dealer:



Wheelchair load system Robot R11

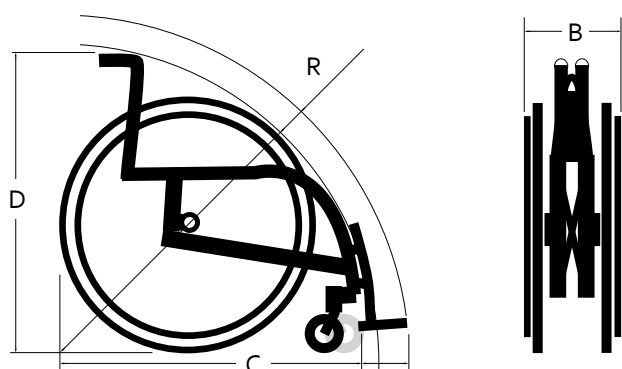
The wheelchair load system Robot R11 is a fully automatic loading help, which loads your wheelchair extremely space-saving and secure into the trunk.

At the same time, is the Robot R11 extremely user friendly and simply in the use. With the assembly of the Robot R11, no changes in the car body (doors) or in the interior (rear seats) needs to be done.

The full seat number is preserved, if your wheelchair measurement (apply to the trunk) does not pass over our calculation.

The Robot R11 can be simply altered from one vehicle to another, as long as the required place for the Robot 201 and the wheelchair is enough.

The Robot R11 is serviced reduced and impresses with his high-quality-technology, processing and the resulting reliability from it.



Wheelchair measurement:

We need from you the wheelchair measurement, as in the pictures B-C-D-R. The max. wheelchair weight may not pass over 22 kg. If heavier or fix frame wheelchairs will be needed please inquire!



The place demand beside and behind the vehicle:

The place demand beside the vehicle amounts to approx. 95 cm, like an open door. Behind the vehicle only few cm are required.